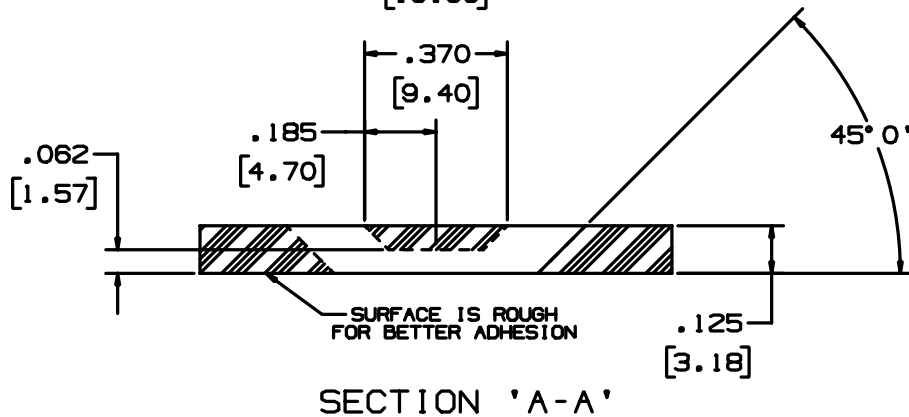
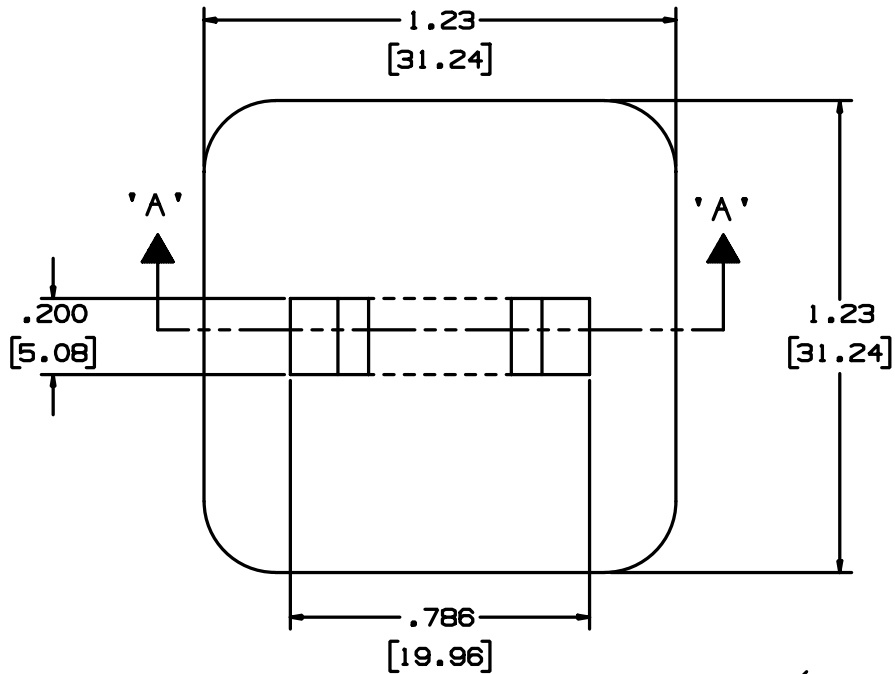


THIS COPY IS PROVIDED ON A RESTRICTED BASIS AND IS NOT TO BE USED IN ANY WAY DETRIMENTAL TO THE INTERESTS OF PANDUIT CORP.



PANDUIT PART NO.	WEIGHT lbs / 100 (g) / pcs.
AM2	0.71 (322)

NOTES:

- SEE CURRENT PRICE SHEET FOR PART NUMBER SUFFIX DESIGNATION FOR PACKAGE SIZE.
- USE WITH ANY OF THESE CABLE TIE CROSS SECTIONS:

M = MINATURE

I = INTERMEDIATE

S = STANDARD

DIMENSIONS IN BRACKETS ARE METRIC [ mm ]	
CAD FILENAME/LAYER: G00239BJ_PB_AM2_01.PRT	
PANDUIT CORP. TINLEY PARK, ILLINOIS	
AM2 ADHESIVE MOUNT	
UNLESS OTHERWISE SPECIFIED, DIMENSIONAL TOLERANCES ARE: (.X) ±0.05 (1.3) (.XXX) ±0.010 (0.25) (.XX) ±0.02 (0.5) ANGLES ± 5°	UNLESS OTHERWISE SPECIFIED, ALL DIMENSIONS ARE GIVEN IN INCHES, THIRD ANGLE PROJECTION.
DRAWN BY: MJK	MAT'L: NONE
DATE: 12-3-92	MAT'L: NYLON 6/6
GR'D	DWG NO. GB0239BJ
	DRG SIZE: A

REV	DATE	BY	CHK	DESCRIPTION	ECN - R	CUST	SUP
1	2/5/03	JAD		UPDATED & REVISED DRAWING	GB0239BJ	I	
R	12-3-92	MJK		INITIAL RELEASE	GB0239BJ	R	